

# Spotlight- RGBW5.0

FRD2-RGBW5.0 2700K  
FRD3-RGBW5.0 3000K

## PRODUCT DESCRIPTION:

The RGBW5.0 Spotlight leverages proprietary Bluetooth technology providing exceptional reliability and long-range connectivity. With the intuitive RGBW5.0 app, enjoy seamless color mixing and precise adjustments for high-performance lighting from your smartphone.

## FEATURES & BENEFITS

- **100% Reliability:** Stable, error-free communication for flawless operation
- **Extreme Range:** Extended connectivity for large outdoor spaces, up to 900ft line-of-sight
- **No Mesh Constraints:** Simplified, efficient control without complex mesh
- **Vibrant RGBW Color Mixing:** Full-spectrum, customizable lighting
- **Hard-Anodized Black Finish.:** Corrosion and scratch-resistant
- **Scalable System:** Control unlimited devices seamlessly
- Use RGBW5.0 app to change fixture settings
  - Turn on and off
  - Set and change colors
  - Set and control dimming
  - Control devices independently or as a group
  - Program custom scenes to run with one tap
- Android and iOS compatible

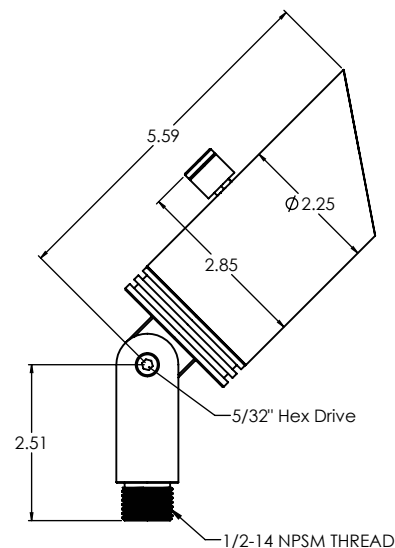
## SPECIFICATIONS

- **Wattage:** RGB-10W, W-3000K/2700K-12W, **MAX 14VA**
- **Max Lumens:** Red: 180 | Green: 382 | Blue: 80 | White: 585
- **Construction:** CNC-machined 6061 Aluminum
- **Finish:** Hard-Anodized Black Finish
- **Lead Wire:** 18 AWG, 36-inch
- **Light Source:** Integrated RGBW LED
- **Voltage:** 10-16V AC/DC
- **Control Protocol:** RGBW5.0 app via Bluetooth 5.0
- **Color Outputs:** Red, Green, Blue, White (3000K or 2700K)

## WARRANTY

10 Year Warranty on Housing  
3 Year Limited Warranty On Electronics

## CERTIFICATIONS



## Get the RGBW5.0 app



For additional information or assistance go to <https://RGBW50.COM>

## Maximum Number of RGBW5.0 Spotlights Per Transformer Chart

Transformer Size	Max Load Capacity (80%)	Maximum Spotlights
60VA	48VA	3
100VA	80VA	5
150VA	120VA	8
300VA	240VA	12
600VA	480VA	30
900VA	720VA	44
1200VA	960VA	60

These calculations account for 12AWG wire, voltage drop, and total load, adhering to NEC guidelines, which recommend operating transformers at no more than 80% capacity for optimal performance. We also utilized the 15V tap on the transformer for these estimates, with each spotlight consuming 14VA.

For transformers 300VA and larger, we based our estimates on typical installations with runs of 100 feet and no more than 12 spotlights per run:

- 300VA: 1 run, 12 spotlights at 100ft.**
- 600VA: 3 runs, 10 spotlights per run at 100ft.**
- 900VA: 4 runs, 11 spotlights per run at 100ft.**
- 1200VA: 6 runs, 10 spotlights per run at 100ft.**

### Landscape Lighting Calculator App



For unique scenarios, such as longer wire runs or varying load requirements, use the **Landscape Lighting Calculator App**, available on iOS and Android, to determine the most accurate setup for your project.