

Demo Kit Light- RGBW5.0

DMK3-RGBW5.0 3000K

PRODUCT DESCRIPTION:

The RGBW5.0 Battery Powered Demo Kit Fixture is the ultimate tool for installers to showcase RGBW5.0 capabilities to homeowners and clients. With a 40-degree optic, flat shroud, and rechargeable battery (12V charger included), it's perfect for portable demos. Use the RGBW5.0 app to control vibrant, customizable lighting and make a lasting impression on-site.

FEATURES & BENEFITS

- **100% Reliability:** Stable, error-free communication for flawless operation
- **Extreme Range:** Extended connectivity for large outdoor spaces, up to 900ft line-of-sight
- **No Mesh Constraints:** Simplified, efficient control without complex mesh
- **Vibrant RGBW Color Mixing:** Full-spectrum, customizable lighting
- **Hard-Anodized Black Finish.:** Corrosion and scratch-resistant
- **Scalable System:** Control unlimited devices seamlessly
- Use RGBW5.0 app to change fixture settings
 - Turn on and off
 - Set and change colors
 - Set and control dimming
 - Control devices independently or as a group
 - Program custom scenes to run with one tap
- Android and iOS compatible
- 12V Battery Charger Included

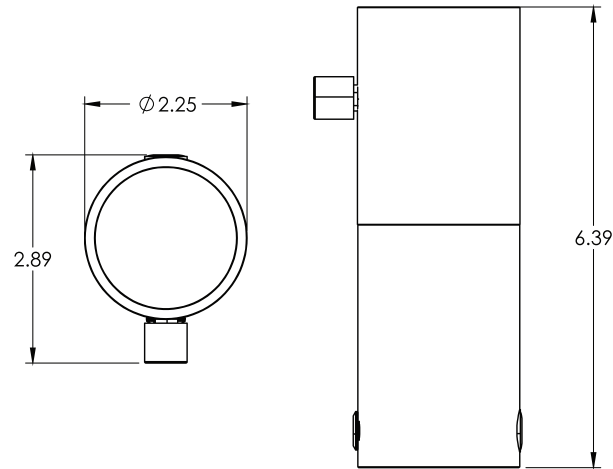
SPECIFICATIONS

- **Wattage:** RGB:7W | W:10W
- **Power Source:** Integrated 12V Battery
- **Construction:** CNC-machined 6061 Aluminum
- **Finish:** Hard-Anodized Black Finish
- **Light Source:** Integrated RGBW LED
- **Operating Voltage:** 10-16V AC/DC
- **Control Protocol:** RGBW5.0 app via Bluetooth
- **Color Outputs:** Red, Green, Blue, White (3000K)

WARRANTY

10 Year Warranty on Housing
3 Year Limited Warranty On Electronics

CERTIFICATIONS



Get the RGBW5.0 app



For additional information or assistance go to <https://RGBW50.COM>